

# Ongoing work on sufficiency of measures analysis

8J-4 Progress on BSAP update activities  
and the analysis of sufficiency of measures

State & Conservation 11-2019

Luke Dodd

HELCOM



HELCOM

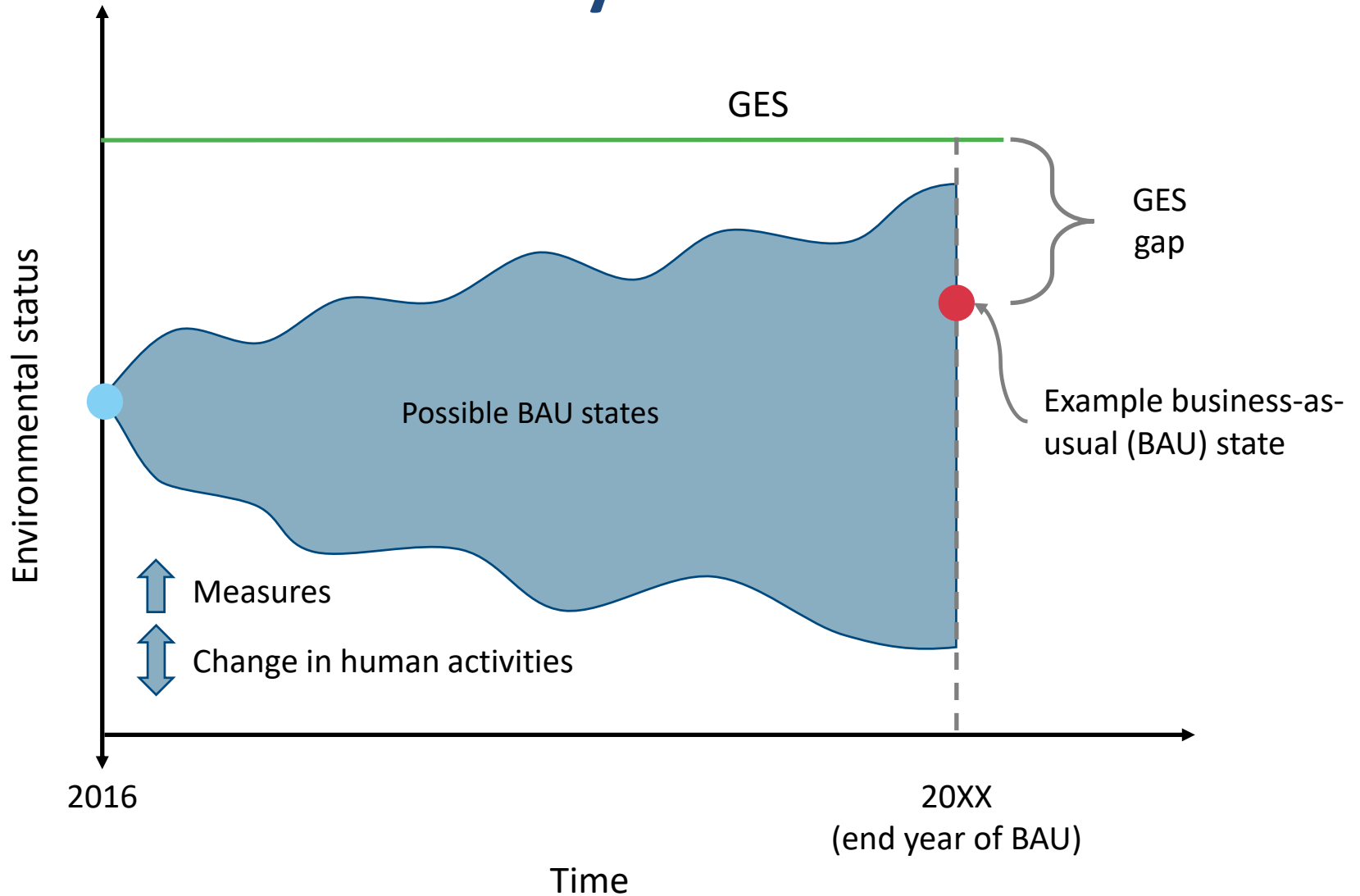


**ACTION**

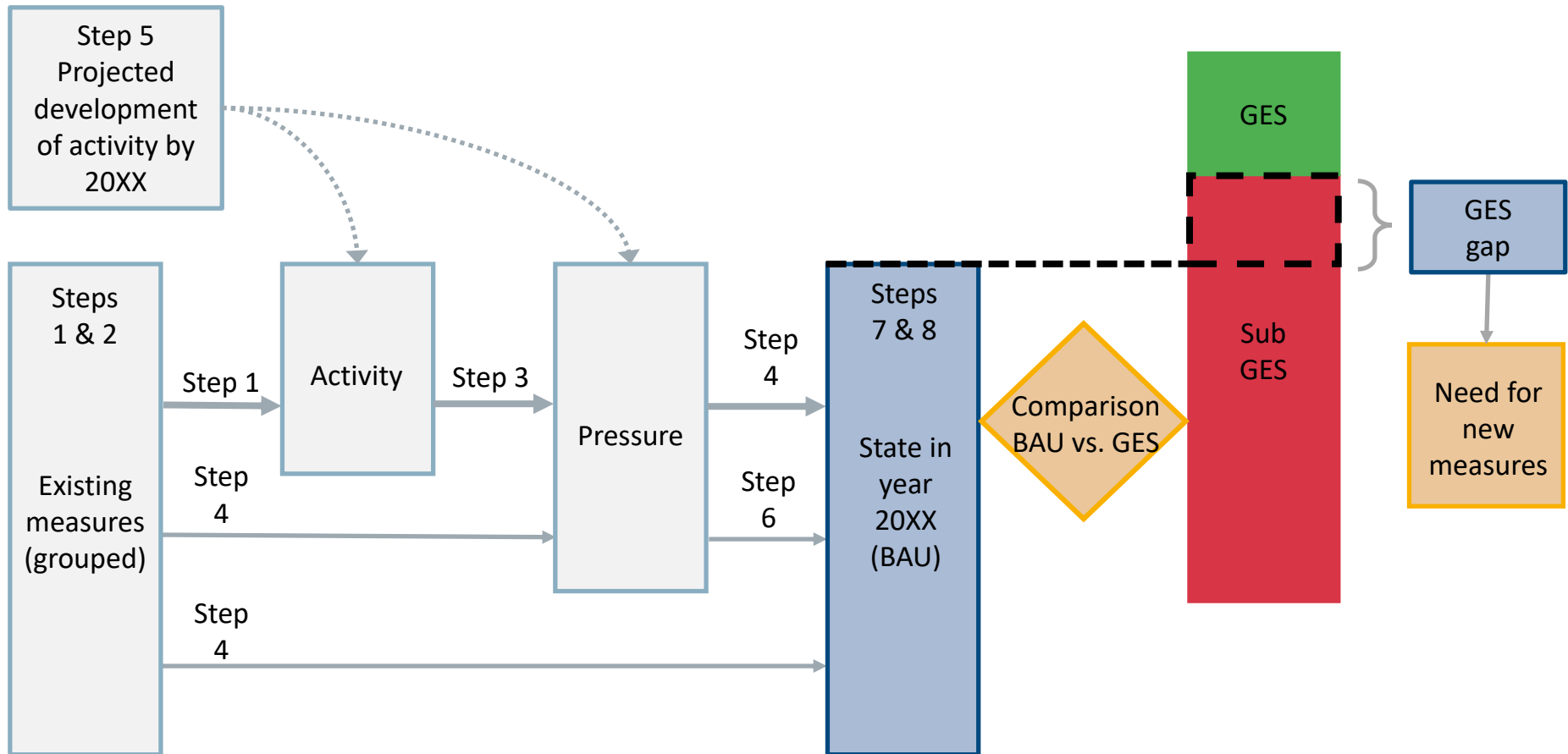


Co-funded by the  
European Union

# Business-as-usual (BAU) state and sufficiency of measures



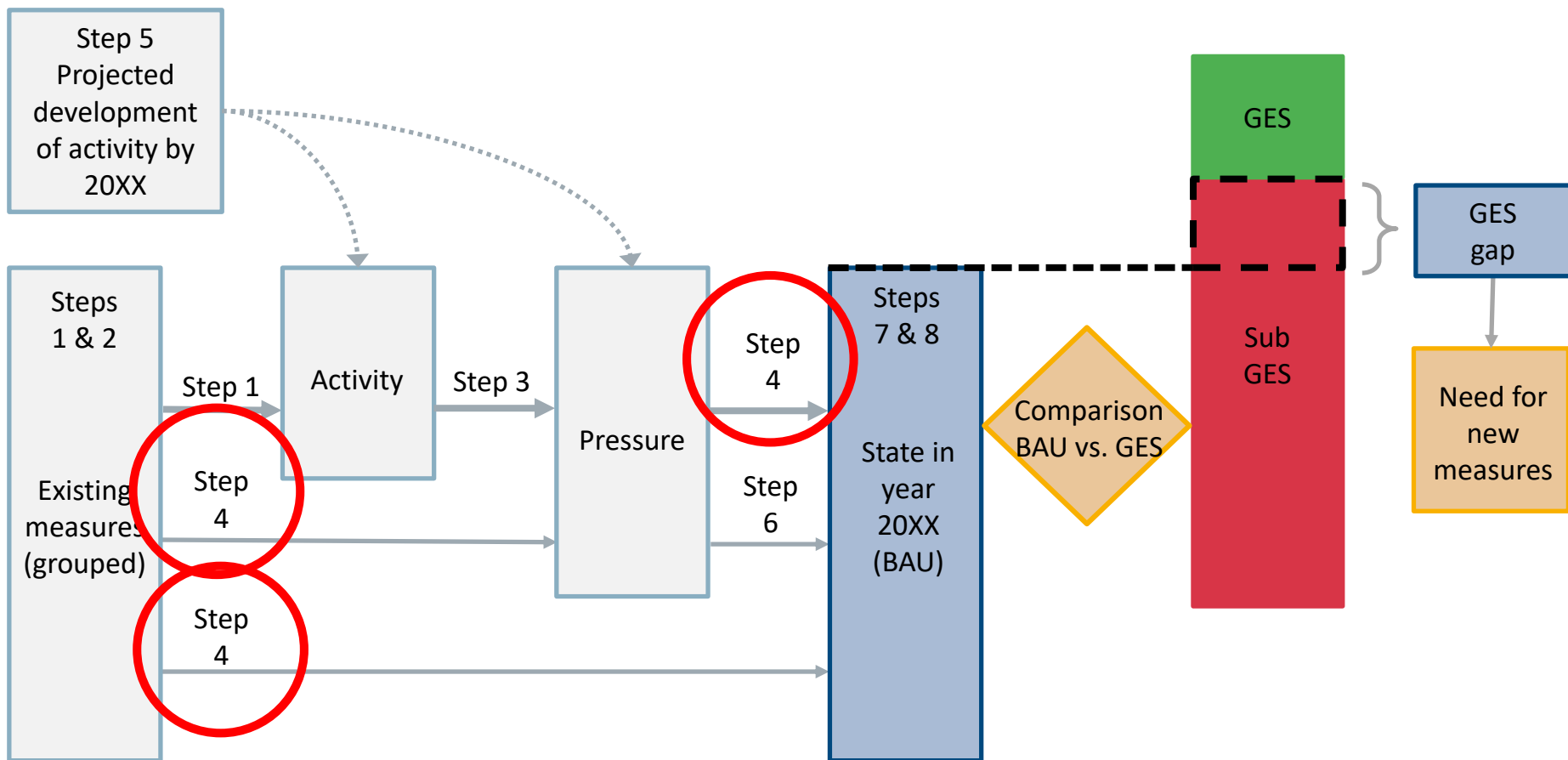
# Components of the sufficiency of measures (SOM) analysis



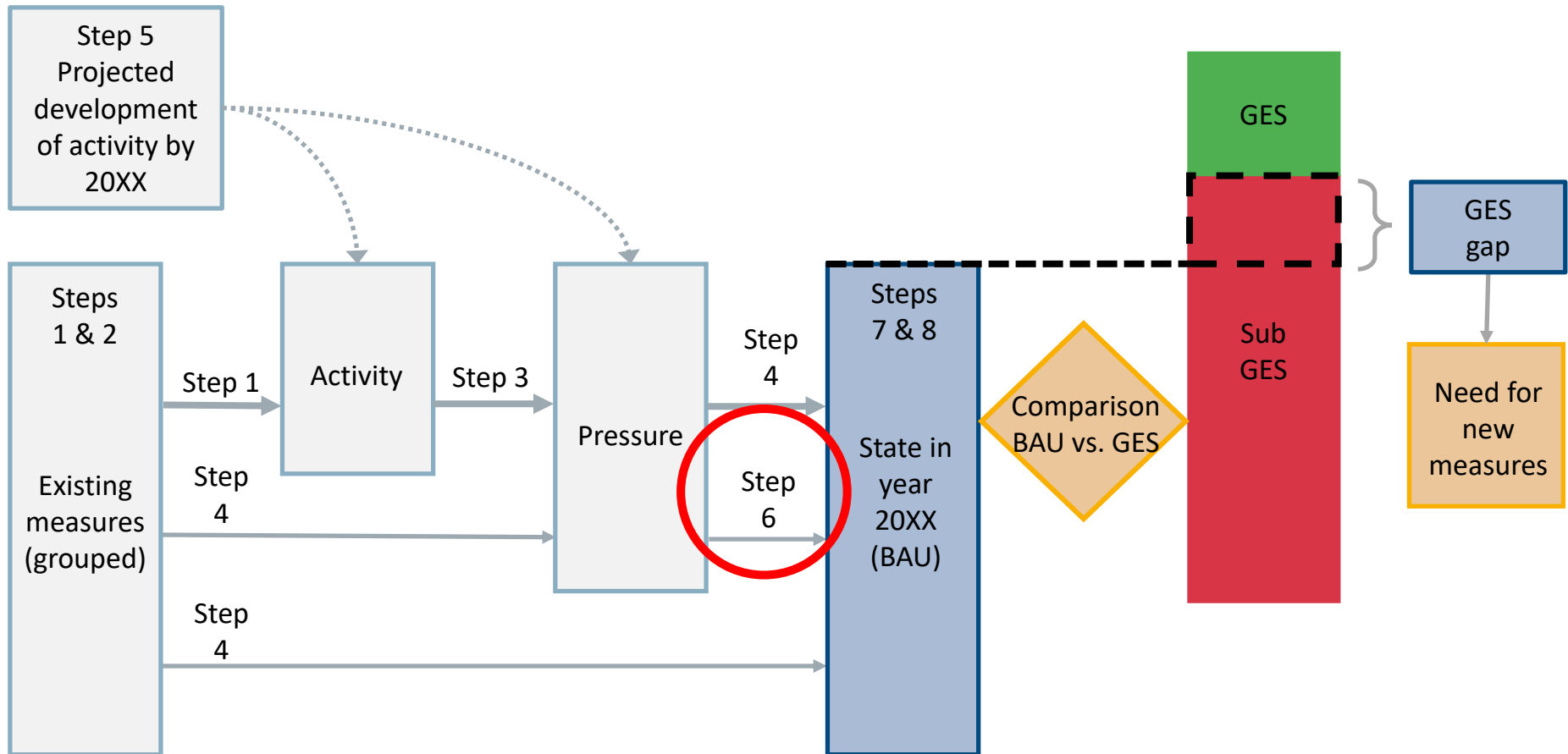
# Features of SOM analysis

- Supports the BSAP update by assessing how far we are from achieving GES with existing measures
- Provides supporting information to identify need for potential new measures
- First time SOM assessment is done in this extent
- Same approach applied across all topics to ensure comparability and coherence (birds, mammals, fish, marine litter, underwater noise, input of nutrients, etc.)

# Components of the sufficiency of measures (SOM) analysis



# Components of the sufficiency of measures (SOM) analysis



# Steps 4 and 6 in the SOM analysis

- Step 4: Estimation of effects of measures
  - Estimate of the reduction in a specific pressure (in %) from a generalized measure
- Step 6: Linking pressures with state components
  - Links between pressures and state components
  - Depending on the existence of GES threshold:
    - a) Required pressure reduction (in %) to reach or maintain GES
    - b) Change in the state component from a specific reduction in pressures (in %)

# Steps 4 and 6 in the SOM analysis

- Expert elicitations (workshops and surveys)
- Literature, studies and models to complement and use as reference points
- Discussed and supported by the SOM Platform 2-2019 meeting



# Current status of work

- Mammals (EG MAMA) and birds (JWG BIRD) SOM workshops implemented
- Remaining workshops:
  - Hazardous substances, 22 October 2019, Brussels
  - Fish, 4-6 November, Warsaw
  - Benthic habitats, 14 November, Helsinki
- Online surveys: noise, litter, eutrophication

# Outcomes of SOM mammals and birds workshops

- Valuable comments received during and after the workshops
  - surveys will be revised and re-run online in October-November
  - remaining workshops will be arranged differently
- Opportunity to engage additional experts
- Sending more substantive background information prior to workshops