

Sufficiency of Measures Analysis for the BSAP update

Document 4-1 Progress on the BSAP update and
SOM analysis

Document 4-2 Outcome of HELCOM SOM
Platform 2-2019

Heini Ahtiainen, HELCOM Secretariat

Contents

- Overall SOM approach
- Updates to the methodology
- Ongoing work
- Expert elicitation
 - workshops
 - surveys



Co-funded by the
European Union

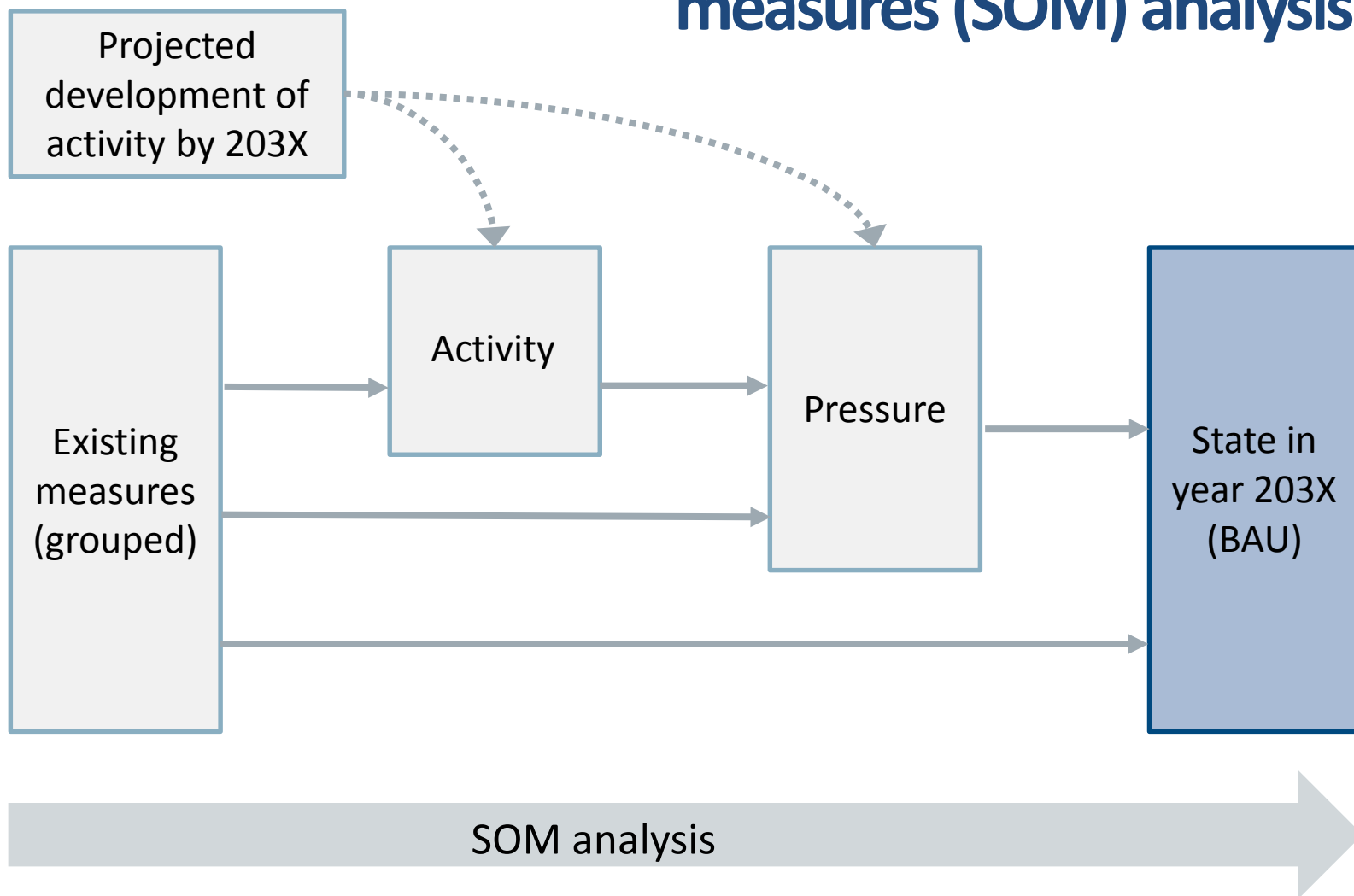


HELCOM

Features of the SOM analysis

- Supports the BSAP update by assessing how far we are from achieving GES with existing measures
- Provides supporting information to identify the need for potential new measures
- First time SOM assessment is done in this extent
- Combines natural and social sciences approaches
- Same approach applied across all topics to ensure comparability and coherence (birds, mammals, fish, hazardous substances, marine litter, underwater noise, input of nutrients)

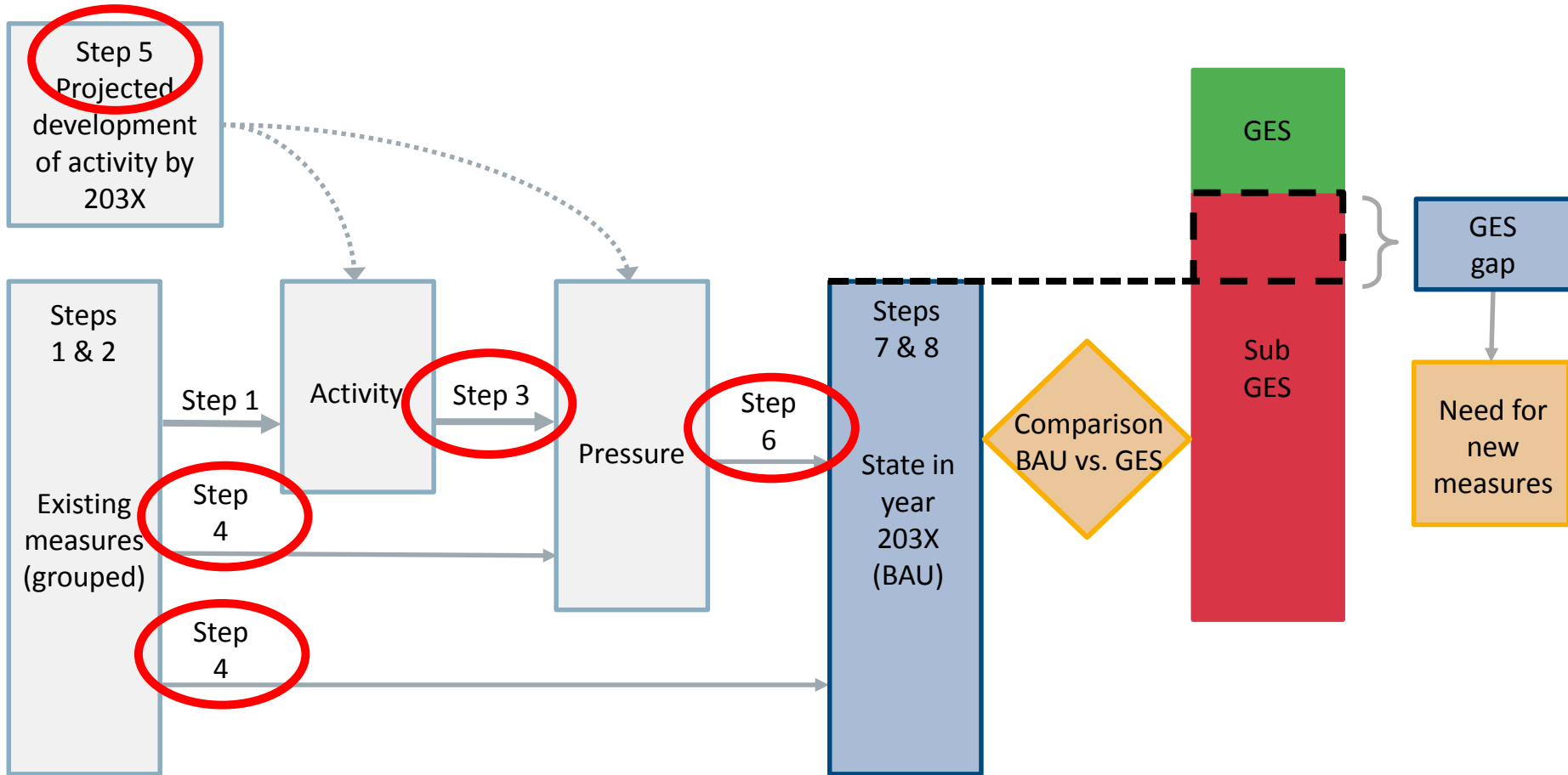
Components of the sufficiency of measures (SOM) analysis



Updates to the methodology and ongoing work

- Activity-pressure linkages (step 3)
- Effects of measures on pressures (step 4) & Pressure-state linkages (step 6)
 - Detailed approach developed
 - SOM Platform 2-2019 supported the use of the methodology for steps 4 and 6 at upcoming HELCOM workshops and meetings in autumn 2019
- Development of human activities (step 5)

Components of the sufficiency of measures (SOM) analysis



Main components in SOM analysis using expert elicitation

1. Linking activities to pressures (step 3)
 2. Effects of measures on pressures (step 4)
 3. Linking pressures with state components (step 6)
- Information from scientific literature and expert elicitation to allow for comprehensive inclusion of measures, pressures and state components

Step 3: Activity-pressure link

- Contribution of activities to pressures (%)
- Loss and disturbance to the seabed
 - Approach used in HOLAS II
 - Links percent contribution of activities to the two physical disturbance pressures
- Input of nutrients: data from ACTION WP4
- Other topics: expert surveys
 - Need additional responses

Steps 4 and 6

- Step 4: Effects of measures
 - Estimate the reduction in a specific pressure (in %) from a generalized measure
- Step 6: Linking pressures with state components
 - Links between pressures and state components
 - Depending on the existence of GES threshold:
 - a) Required pressure reduction (in %) to reach or maintain GES
 - b) Change in the state component from a specific reduction in pressures (in %)

Step 5: development of human activities

- Limited to predominant activities
- Data sources collected and overall approach developed
- Two assumptions: 1) no change, 2) most likely change in activities



Expert workshops and surveys

- Workshop aims
 - Provide information on the SOM analysis and expert elicitation approach
 - Test and discuss the components and structure of the surveys
 - Gather comments and feedback for finalizing the surveys
- Surveys
 - Implemented online
 - Respondents: nominated experts