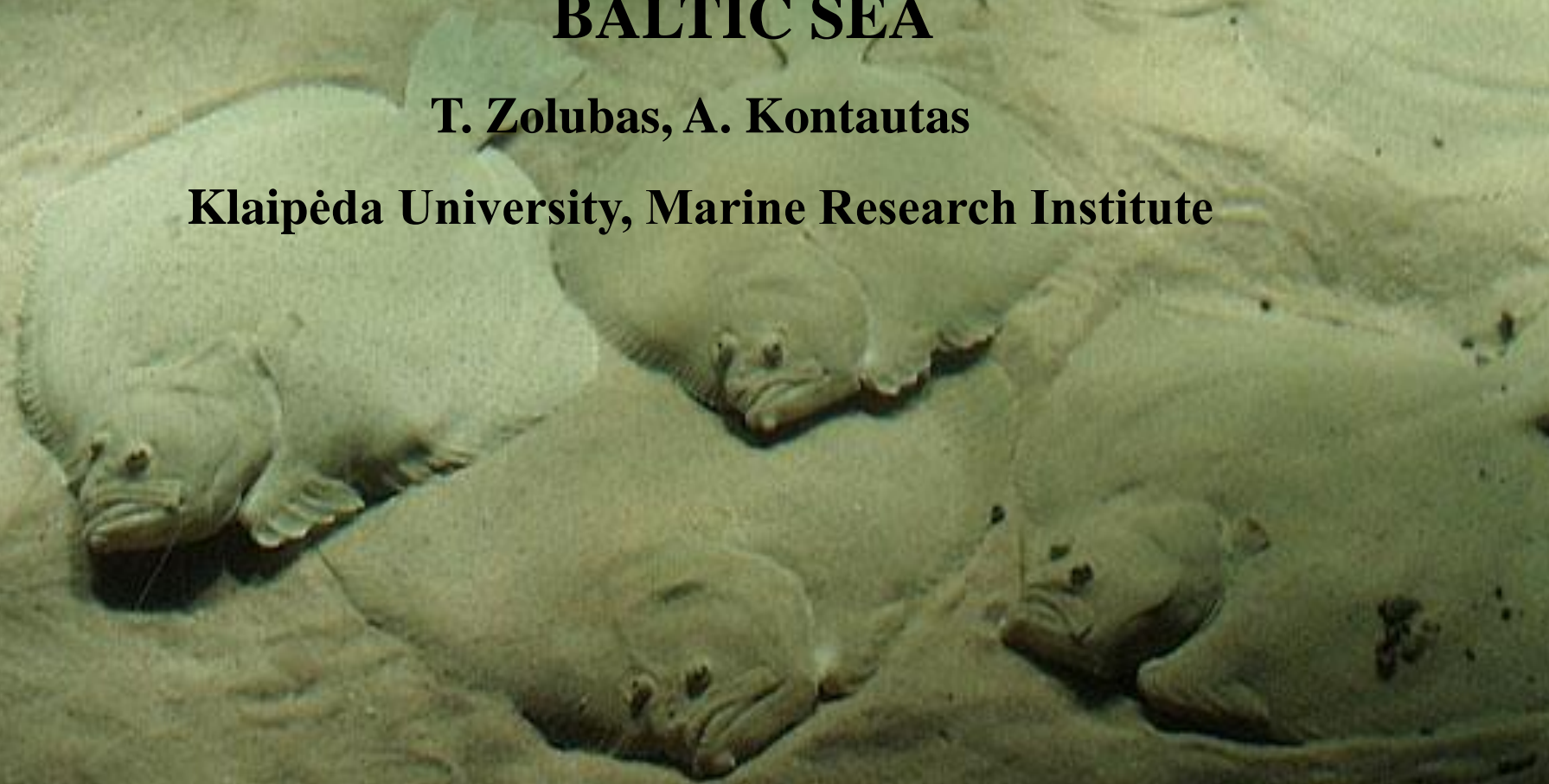


MONITORING OF FISH COMMUNITIES IN THE LITHUANIAN COASTAL WATERS OF THE BALTIC SEA

T. Zolubas, A. Kontautas

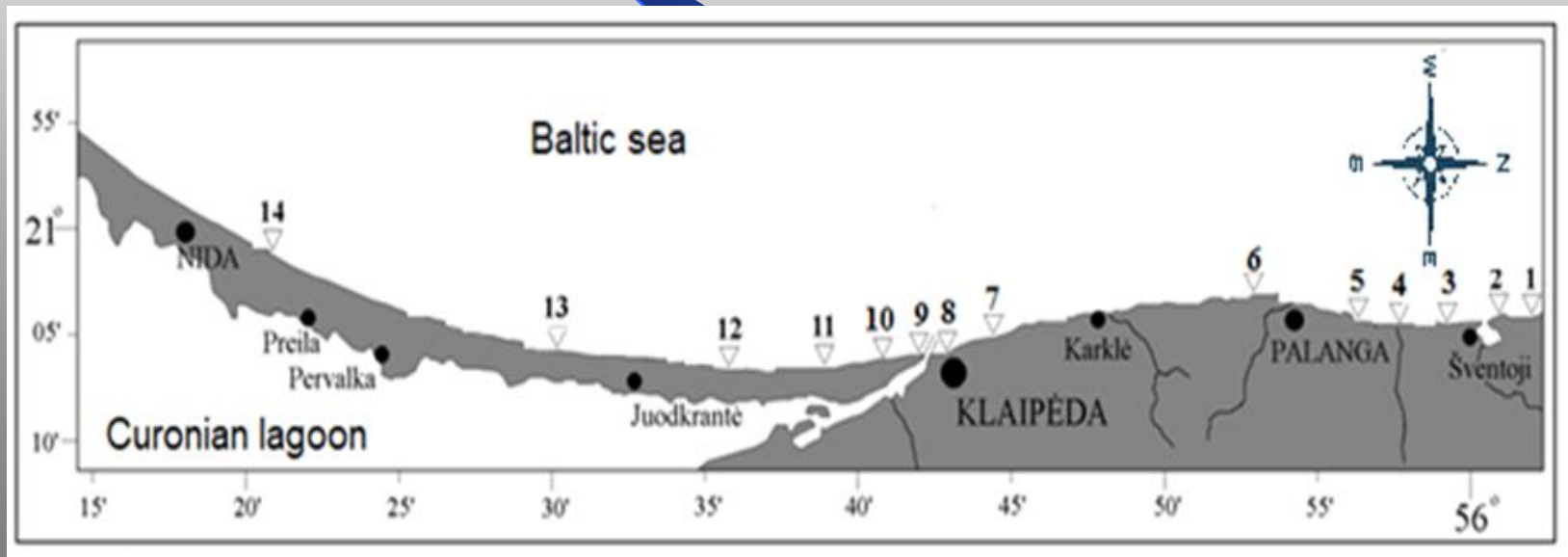
Klaipėda University, Marine Research Institute



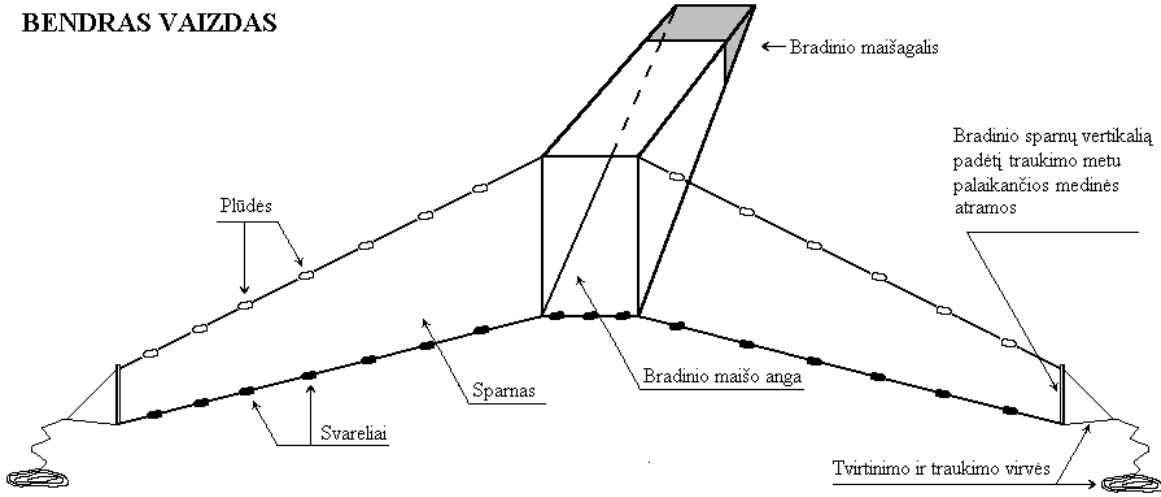
The monitoring consists from two parts:

Juveniles survey: The objective of this survey is to determine the abundancy and biomass dynamics of all juvenile fishes in the coastal areas. The survey is performed in 14 sites alongside the Lithuania's coastal zone during August - September. From each station 3 samples are taken using two different fishing technics: a dragnet is used mainly for sprat, smelt and sand eel, but all other species that are caught are analyzed as well; beach seine a specially designed for flatfish and turbot juveniles and shrimp. Hydrological parameters are recorded during each sampling as well.

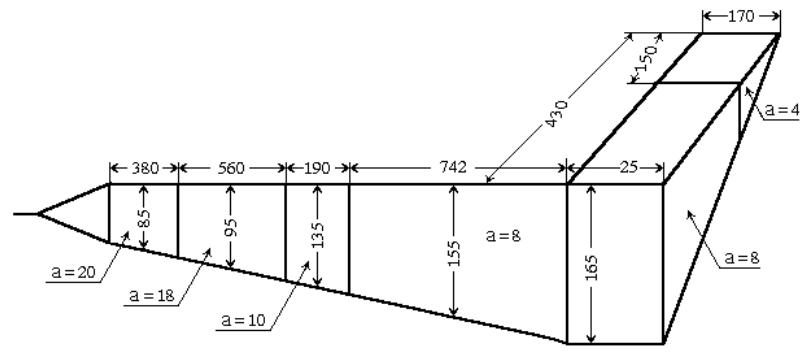
Monitoring period 1995 – 2019.



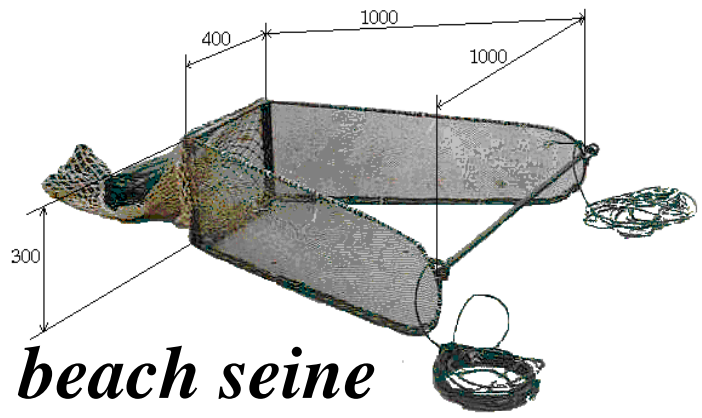
BENDRAS VAIZDAS



SKIRTINGŲ BRADINIO DALIŲ AKIES DYDŽIAI (a, mm) IR MATMENYS (cm)



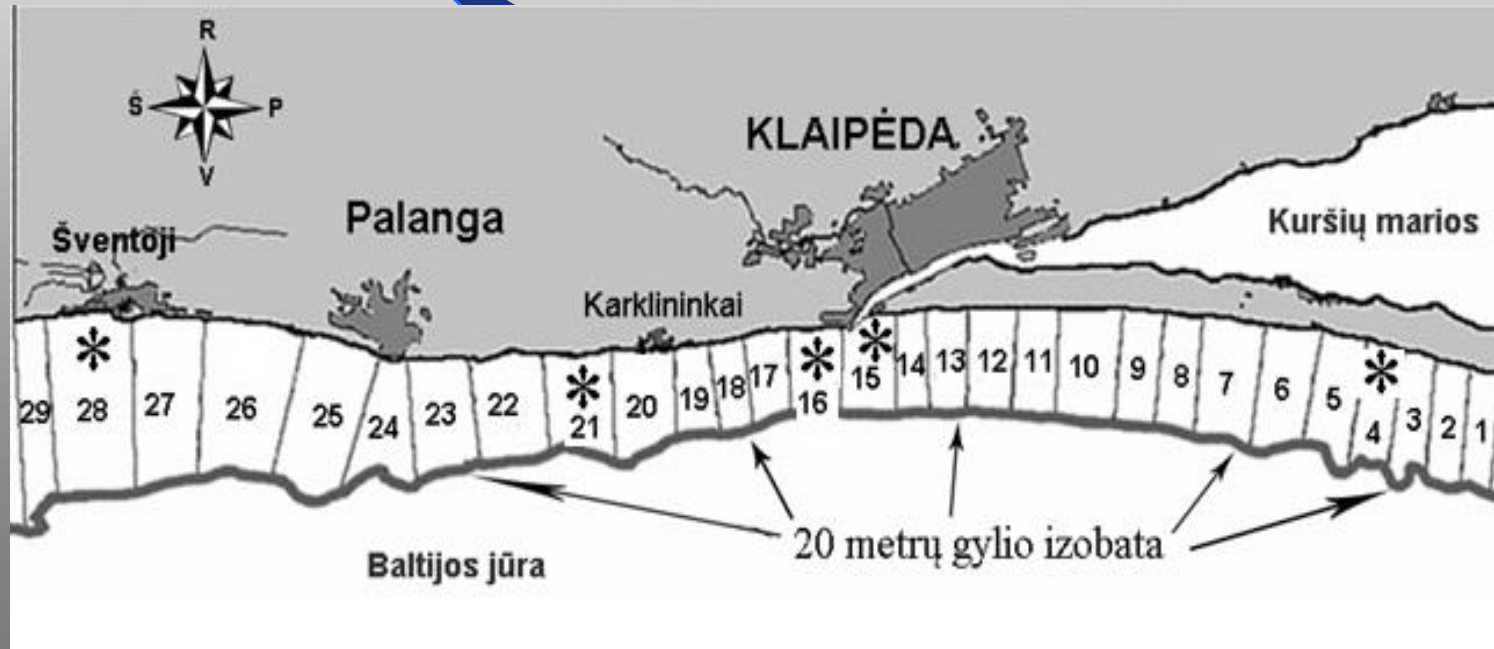
dragnet



Gillnet monitoring: *The objective of this survey is to monitor the biological conditions and migration patterns of the fishes as well as fish communities structure. The multi mesh-sized gillnets (from 14mm to 70 mm) are casted in four monitoring stations alongside the Lithuania's coastal zone. The survey fishing is made once a month in each of the stations.*

Additionally 90, 110 mm mesh size gillnets has been used for turbot monitoring in May – July.

Monitoring period 1994 – 2019.



An underwater photograph showing several flatfish, likely flounders, resting on a sandy seabed. The fish are mostly white and yellowish, blending with the sand. They are scattered across the frame, with some facing left and others facing right. The lighting is somewhat dim, creating a natural, slightly murky underwater atmosphere. The text "Thank you for attention!" is overlaid in the center of the image in a bold, black, serif font.

Thank you for attention!